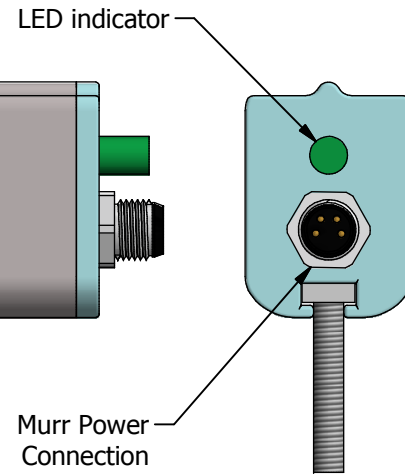
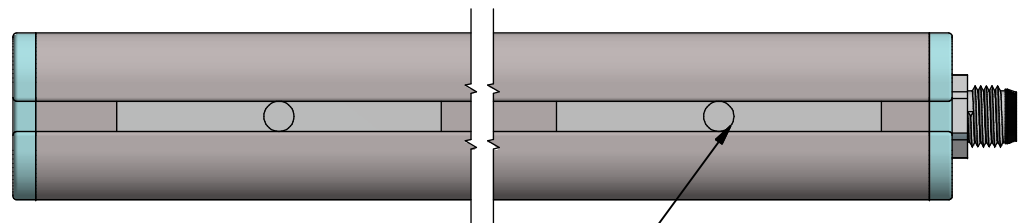
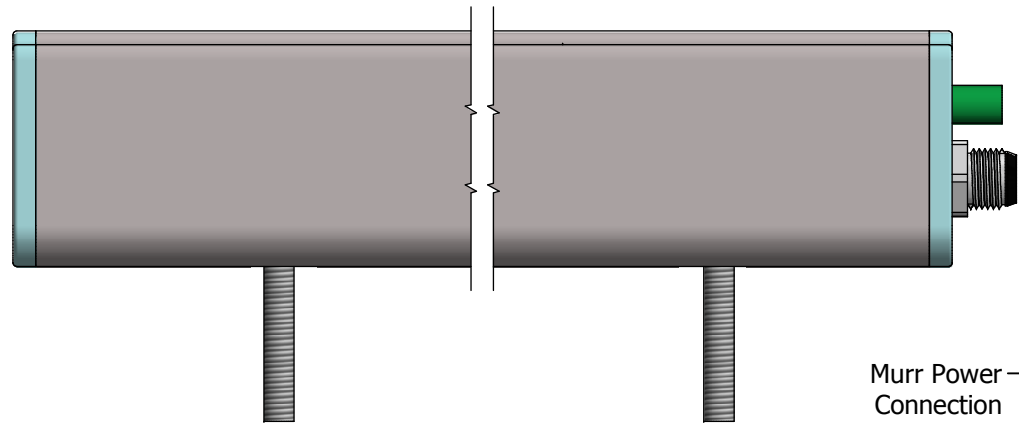
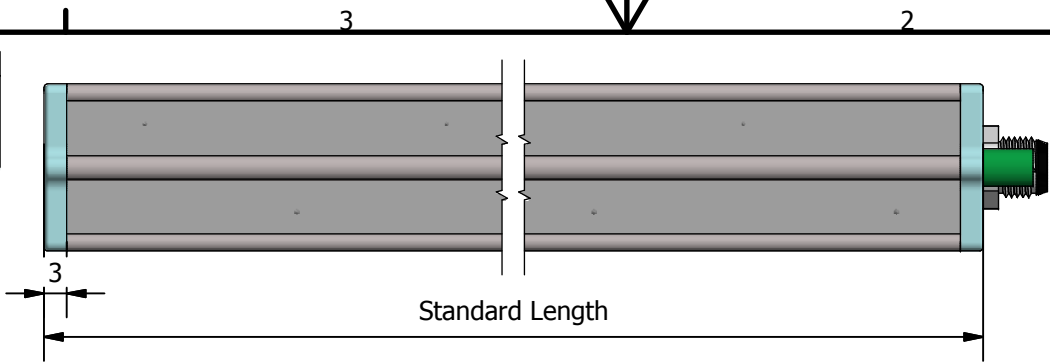


Standard Sizes	
Standard Size	No. of T slides
0240	2
0280	2
0320	2
0360	2
0400	2
0440	2
0480	2
0520	2
0560	2
0600	2
0680	2
0760	2
0840	2
0920	2
1000	3
1080	3
1160	3
1240	3
1320	3
1400	3
1560	4
1720	4
1880	4
2040	5
2200	5
2360	5
2520	6
2680	6
2840	6
3000	6
3160	7
3320	7
3480	7
3640	8
3800	8



Meech International  
 2 Network Point  
 Range Road, Witney  
 OX29 0YN, UK  
 Tel: +44 (0) 1993 706700  
 Fax: +44 (0) 1993 776977  
 email: sales@meech.com  
 web: www.meech.com

COPYRIGHT © MEECH STATIC ELIMINATORS  
 THIS DOCUMENT AND THE INFORMATION  
 THEREIN IS THE PROPERTY OF THE MEECH  
 GROUP AND SHOULD NOT BE COPIED IN WHOLE  
 OR PART OR USED FOR MANUFACTURE OR  
 OTHERWISE DISCLOSED WITHOUT THE PRIOR  
 WRITTEN CONSENT OF MEECH INTERNATIONAL

TITLE: 924 Bar

DRAWING No:  
 A924IPS-\_\_\_\_\_

MATERIAL: Various

FINISH: Various

<b>TOLERANCE</b>	<b>DIMENSIONS</b>
Machined Work Metric 0.2mm	MM
Unmachined Fabrications 2mm	DO NOT SCALE
Angular 0.2°	

<b>PROJECTION</b>	<b>Sheet</b>	<b>Scale</b>
ASME	A4	1:1

<b>Date:</b>	<b>Drawn by:</b>
18/05/2015	David.Hyde

REVISION: 1

SHEET: 1 / 1

STATUS: Production

Add standard size to drawing number to get the product code. e.g. 240mm bar would be A924IPS-0240

