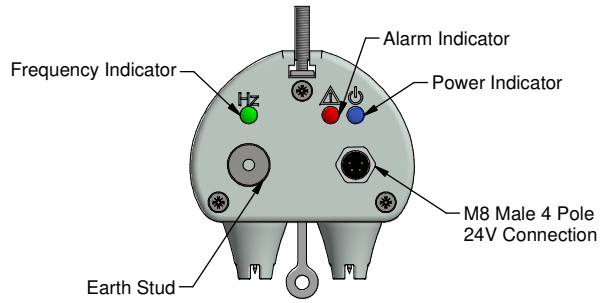
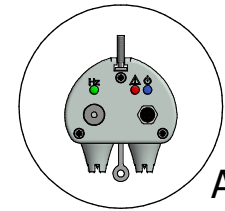
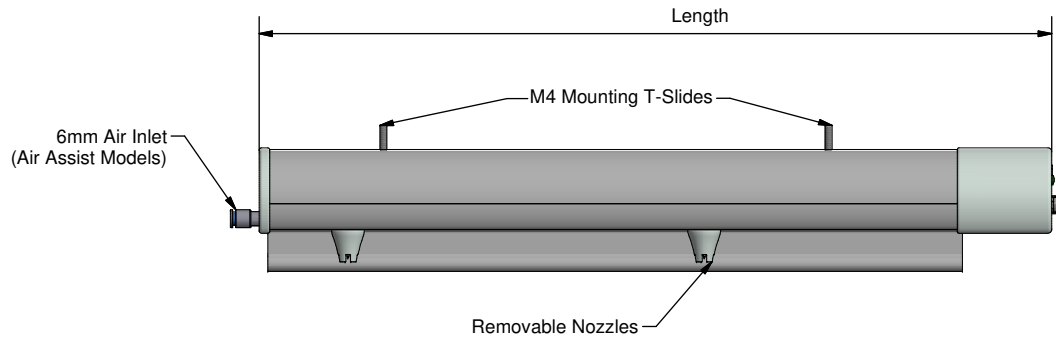
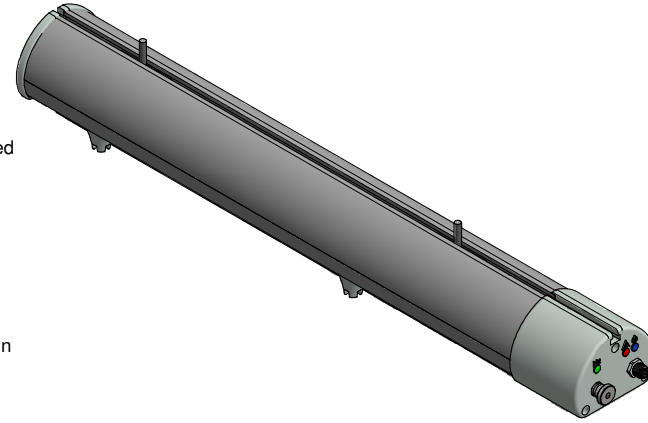
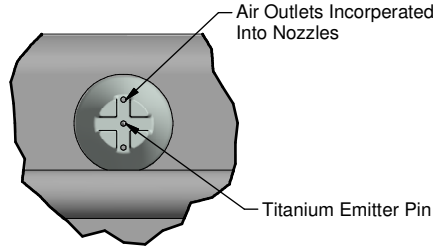


A (2:3)



B (2:2)



971 IPS 30kV Standard Length	
Length (mm)	No. of Studs
450	2
600	2
750	2
900	2
1050	3
1200	3
1350	3
1500	3

