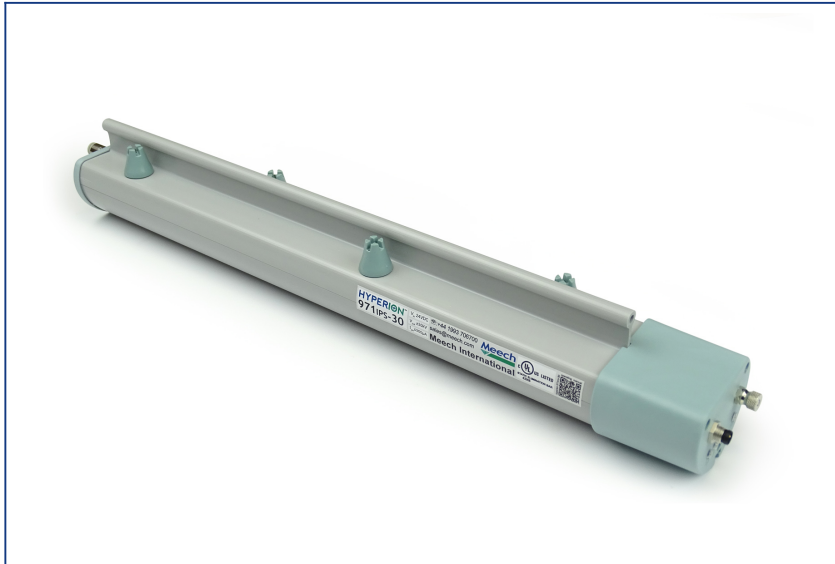


Hyperion 971IPS-30 Extra Long-Range Pulsed DC Ionising Bar



Product Code: A971IPS-30

The Meech 971IPS-30 Extra Long-Range Pulsed DC Ionising Bar is the latest addition to the Meech Hyperion Range.

The 971IPS-30 is powered by a +/- 30kV 24V DC Integrated Power Supply (IPS), making it the **most powerful ionising bar in the Meech range.**

The 971IPS-30 suits very long-range applications with an **operating distance of 450 to 1500mm.**

Featuring Meech's Ion Current Monitoring (ICM) technology, the performance of the bar is maintained with local and remote alerts indicating when the bar needs cleaning. The Hyperion BarMaster Remote Programmer can also be used to adjust the frequency and balance of the bar, optimising it for any application.

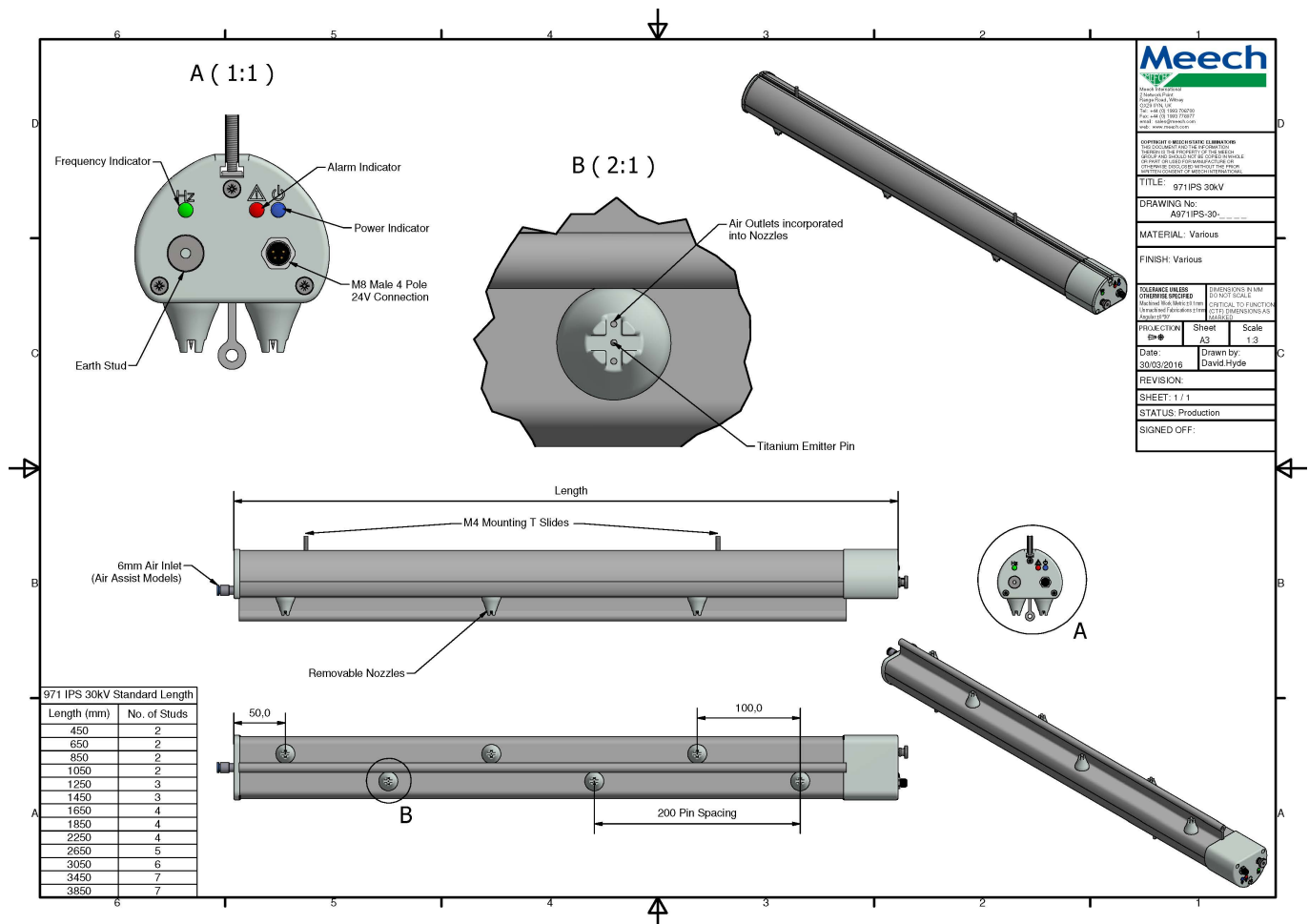
Features

Benefits

Optimum Working Distance	450-1500mm suitable for long range applications, such as slitter rewinders, wicket bag machinery and turret winders.
Low Voltage Wiring	Requiring a 24V DC supply removes the need for high voltage wiring to the ionising bar.
Integrated Power Supply (IPS)	The integral power supply provides +/- 30kV pulsed DC.
Adjustable Output	Frequency and balance can be adjusted with an optional BarMaster programmer.
Air Boost	Additional performance can be gained by using the integral air boost.
Adjustable Clean Pin Alert	Meech Ion Current Monitoring (ICM) technology detects when the 971IPS-30 needs to be cleaned. The LED on the bar alerts operators of the need for cleaning. This ensures peak performance is maintained.
Removable Titanium Emitters	The emitter pin assemblies are designed to be easy to clean and replace, allowing the 971IPS-30 to maintain performance for many years.
Remote Signal	An output signal will activate when the bar needs cleaning or a fault has been detected. This will alert operators remotely to attend the bar.

Technical Characteristics

Dimensions (WxH)	63mm x 70mm (Maximum Length 3950mm)
Weight	1.2kg/metre
Construction	FR ABS
Mounting	'T' Slot with M4 x 20mm studs
Emitters	Sharp Titanium Pins
Input Voltage and Current	24V DC (21-27V DC) Max 625mA
Output Voltage	+/- 30kV pulsed DC
Output Frequency	Default Setting: 1Hz Adjustable with BarMaster from 0.5-9.5Hz
Environmental Protection	IP64 as standard; IP65 upon request
Output Balance	Default: 60% Positive, 40% Negative (Adjustable with BarMaster)
Max Ambient Temperature	60°C
Air Boost Connection	6mm push-fit
Air Consumption	4cfm per 1000mm at 1 bar
Certifications	CE



Meech
 Meech International
 International Sales
 Europe, Asia, Africa
 2004/10, West Road
 Peterborough, Cambs PE1 1UA
 Tel: +44 (0) 1937 27007
 Email: sales@meech.com

COMPANY INFORMATION TO MEECH
 THIS DOCUMENT IS THE PROPERTY OF MEECH INTERNATIONAL. IT IS TO BE USED ONLY FOR THE PURPOSES FOR WHICH IT IS ISSUED AND IS NOT TO BE REPRODUCED OR TRANSMITTED IN ANY FORM OR BY ANY MEANS, ELECTRONIC OR MECHANICAL, INCLUDING PHOTOCOPYING, RECORDING, OR BY ANY INFORMATION STORAGE AND RETRIEVAL SYSTEM.

TITLE: 971 IPS 30KV
 DRAWING No: A971 IPS-30
 MATERIAL: Various
 FINISH: Various

TOLERANCE UNLESS OTHERWISE SPECIFIED:
 Mechanical: Max 0.1mm
 Dimensional: Max 0.1mm
 HOLE POSITION: Max 0.1mm

PROJECTION: 1st Angle
 SHEET: A3
 Scale: 1:1
 Date: 30/03/2016
 Drawn by: David Hyde

REVISION:
 SHEET: 1 / 1
 STATUS: Production
 SIGNED OFF:

Product shown in this document may be covered by one or more patents, patents applied for and/or registered designs and/or trade marks. For further information please refer to our Head Office or visit www.meech.com.