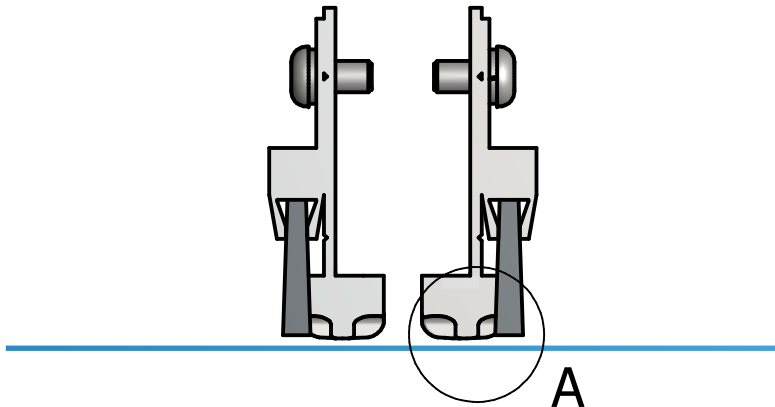
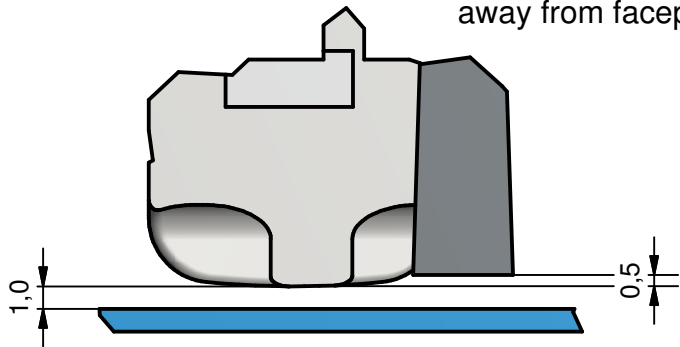


VacClean and Web set up

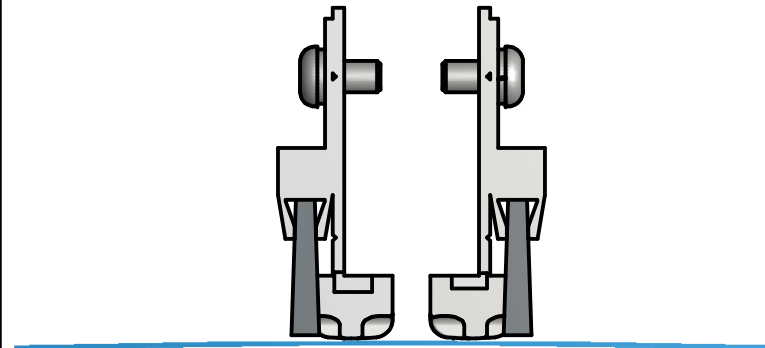


A (3 : 1) Brushes are 0.5mm away from faceplates



There is a 1mm gap between the web and faceplates

VacClean and Web During Operation



Web pulled onto faceplate by vacuum, brushes positioned 0.5mm off faceplates to remove the risk of scratching.



Meech International
2 Network Point
Range Road, Winey
OX29 0YN, UK
Tel: +44 (0) 1993 706700
Fax: +44 (0) 1993 776977
email: sales@meech.com
web: www.meech.com

COPYRIGHT © MEECH STATIC ELIMINATORS
THIS DOCUMENT AND THE INFORMATION
THEREIN IS THE PROPERTY OF THE MEECH
GROUP AND SHOULD NOT BE COPIED IN WHOLE
OR PART OR USED FOR MANUFACTURE OR
OTHERWISE DISCLOSED WITHOUT THE PRIOR
WRITTEN CONSENT OF MEECH INTERNATIONAL

TITLE: VacClean Positioning

DRAWING No:
VACPOS

MATERIAL: Generic

FINISH: Various

TOLERANCE UNLESS OTHERWISE SPECIFIED Machined Work Metric ±0.1mm Unmachined Fabrications ±1mm Angular ±0°30'	DIMENSIONS IN MM DO NOT SCALE	
	CRITICAL TO FUNCTION (CTF) DIMENSIONS AS MARKED	

PROJECTION ⌀	Sheet A4	Scale
-----------------	-------------	-------

Date: 07/11/2013	Drawn by: David Hyde
---------------------	-------------------------

REVISION:

SHEET: 1 / 1

STATUS: Operational View